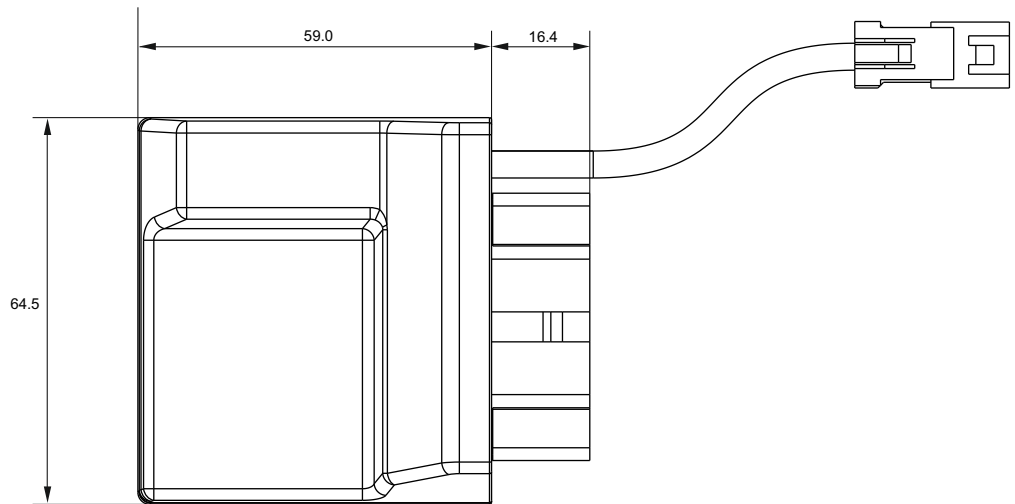
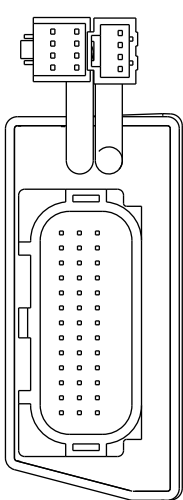
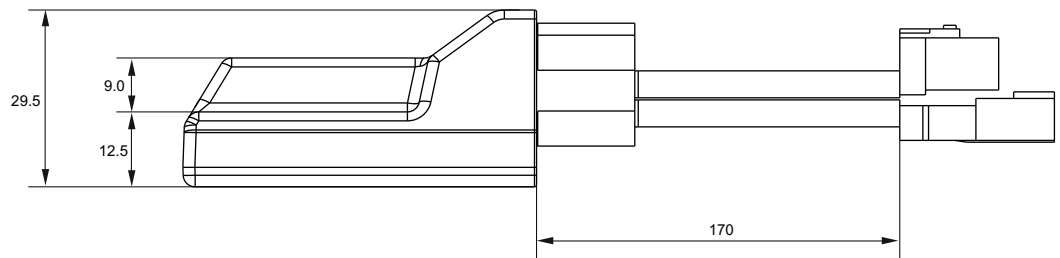




AiM ECU Taipan Y v2 & accessories

PLUG 'N PLAY ECU FOR MOTOCROSS






AiM ECU Taipan Y v2 & accessories

PLUG 'N PLAY ECU FOR MOTOCROSS

Technical specifications

Plug 'n play ECU for :

AiM ECU Taipan Y v2 Compatible models	Bikes				Project status
	Brand	Type	Race	Year	
	YAMAHA	YZ 450 F	Cross	2023	OK

Additional characteristics to the stock ECU:

- Two 0-5V analog inputs sampled @ 1,000 Hz each, could be alternatively used as switch to ground
- Second injector driver for high impedance saturated injectors (12Ω)
- One low side driver (1A)
- 1 CAN bus for calibration purposes
- 2 JST JWPF waterproof auxiliary connectors
- Power consumption 150 mA

- Connectors: n.1 JST 04T-JWPF-VSLE-S Connector
n.1 JST 08R-JWPF-VSLE-D Connector
n.1 39 pin male Connector
- Body: PA6 + 30% glass fiber
- Dimensions: 64.5x59x29.5 mm
- Waterproof: IP67
- Weight: 150 g approx



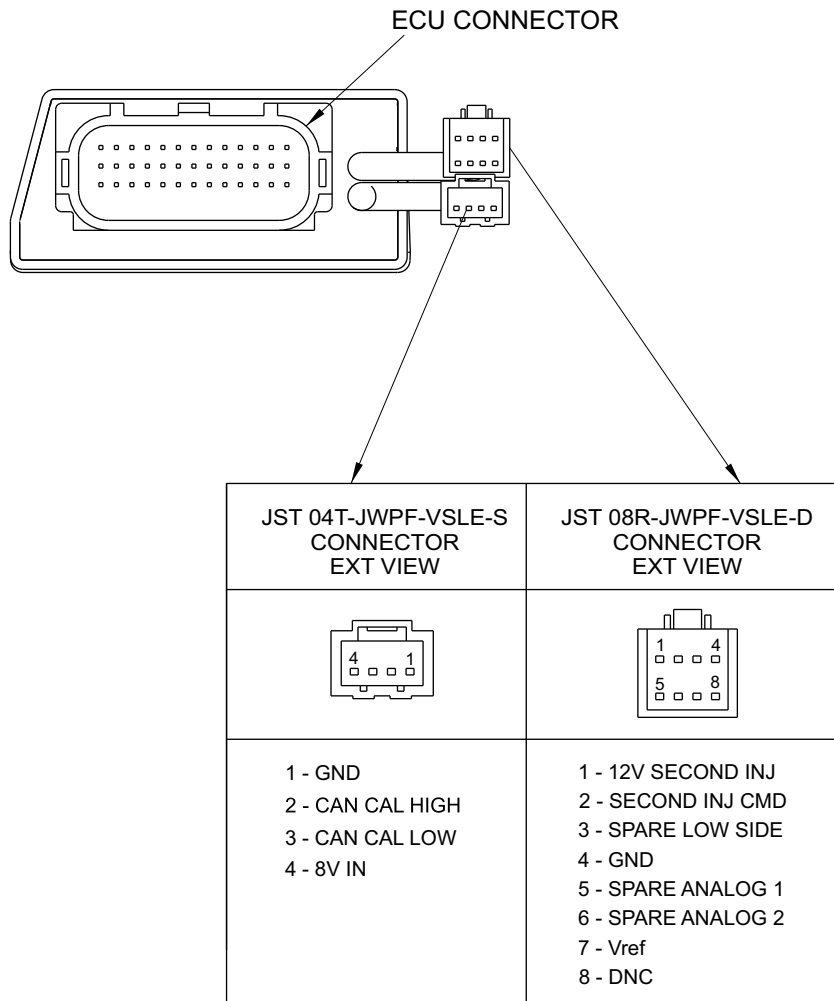
AiM ECU Taipan Y v2 & accessories

PLUG 'N PLAY ECU FOR MOTOCROSS

Part numbers (ECU Taipan Y v2 & accessories)

XE1ECUTYV2	ECU Taipan Y v2
V02596140	Dedicated power cable
XE1HBS000	Handle Bar Switch
XE1UCB000	UC Bridge
XE1UCBT00	UC Bridge Tuner

Pinout

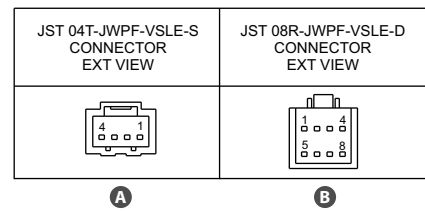
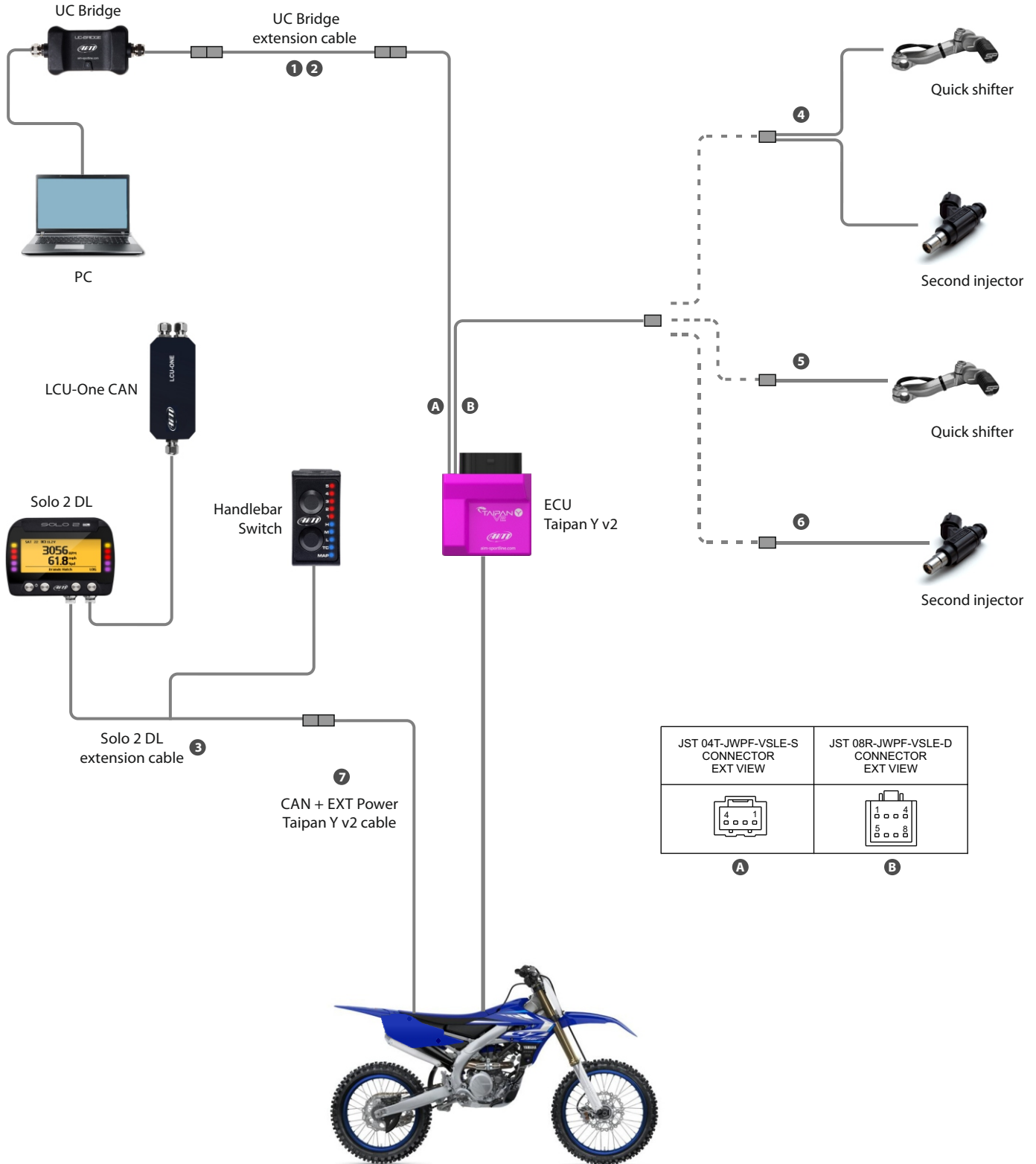




AiM ECU Taipan Y v2 & accessories

PLUG 'N PLAY ECU FOR MOTOCROSS

Functional diagram





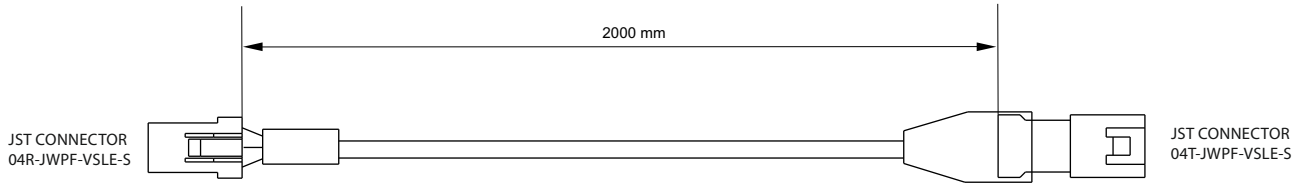
AiM ECU Taipan Y v2 & accessories

PLUG 'N PLAY ECU FOR MOTOCROSS

Optional cables

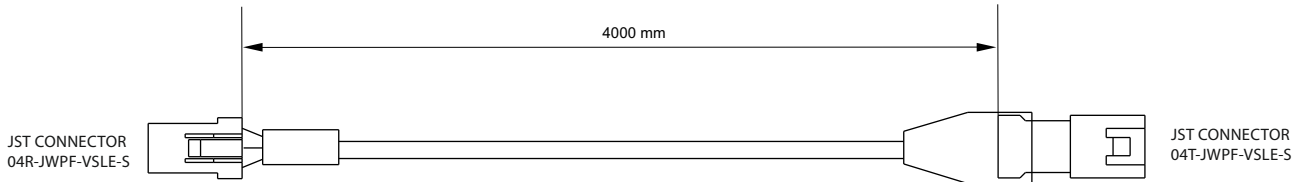
1 UC Bridge extension cable 2 m

Part number V02596020



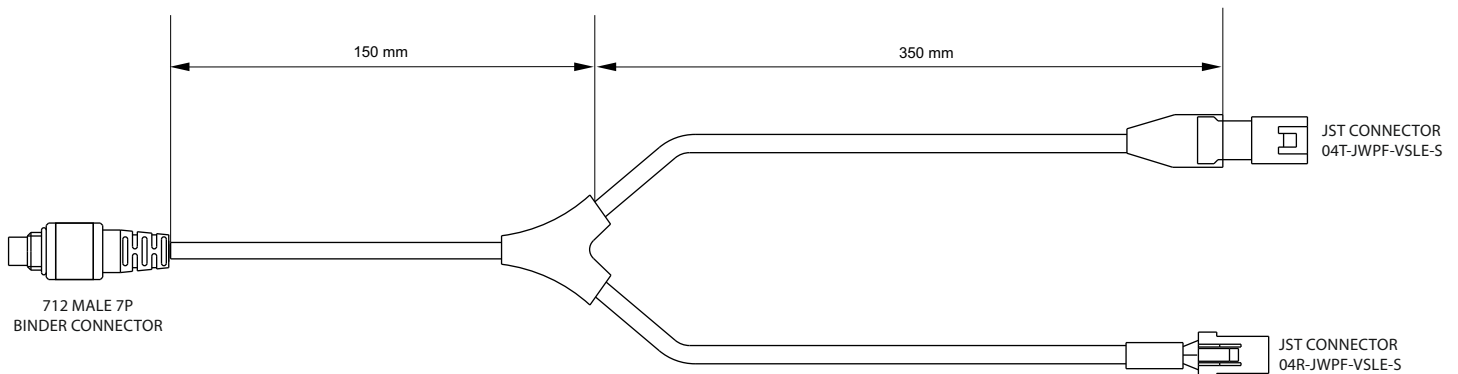
2 UC Bridge extension cable 4 m

Part number V02596030



3 Solo 2 DL extension cable 50 cm

Part number V02589120





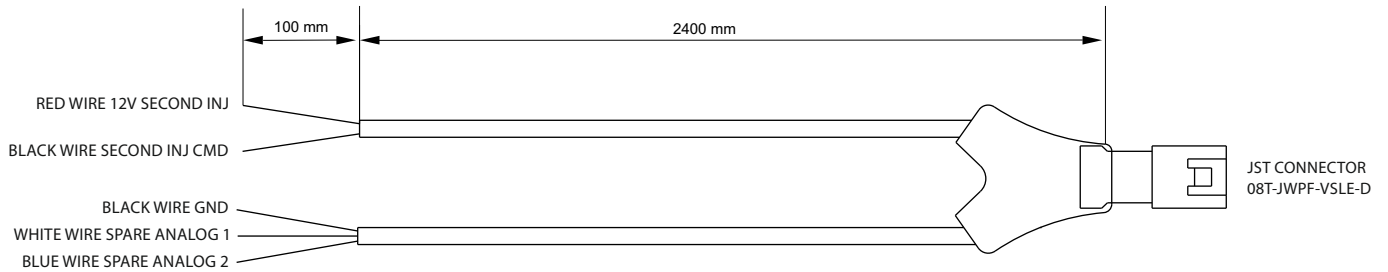
AiM ECU Taipan Y v2 & accessories

PLUG 'N PLAY ECU FOR MOTOCROSS

Optional cables

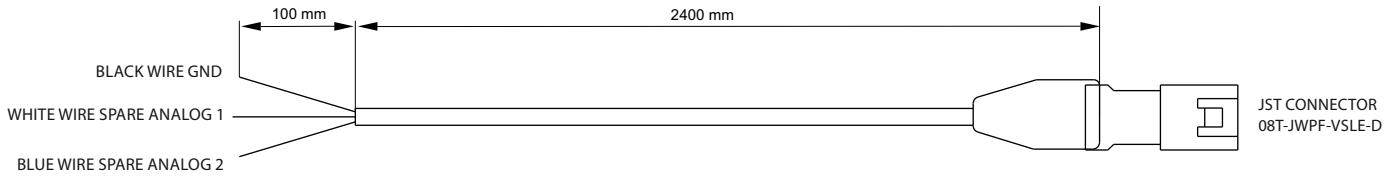
4 Analog channels and second injection harness

Part number V02596060



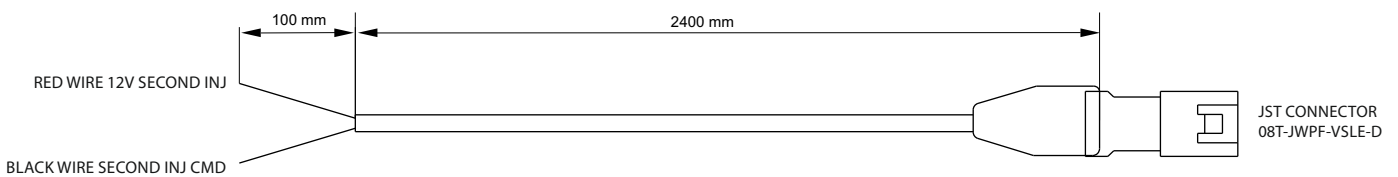
5 Analog channels harness

Part number V02596070



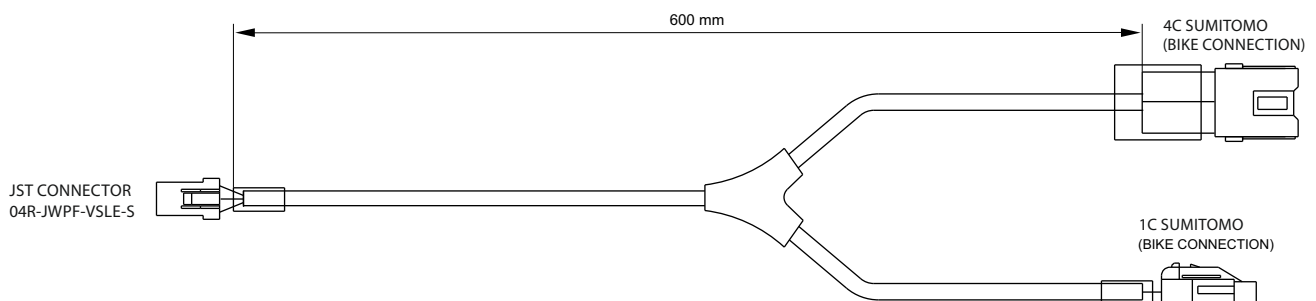
6 Second injection harness

Part number V02596080



7 CAN + EXT Power Taipan Y v2 cable

Part number V02596140



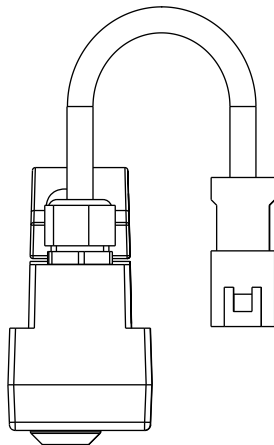
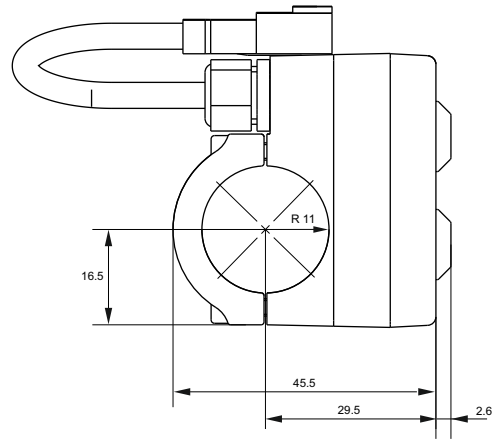
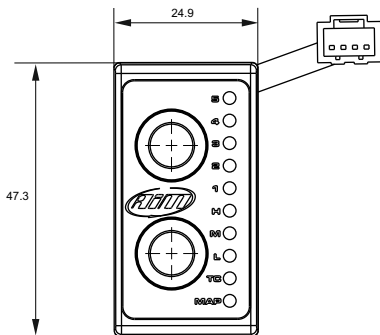


AiM ECU Taipan Y v2 & accessories

PLUG 'N PLAY ECU FOR MOTOCROSS

Accessories:

Handlebar Switch





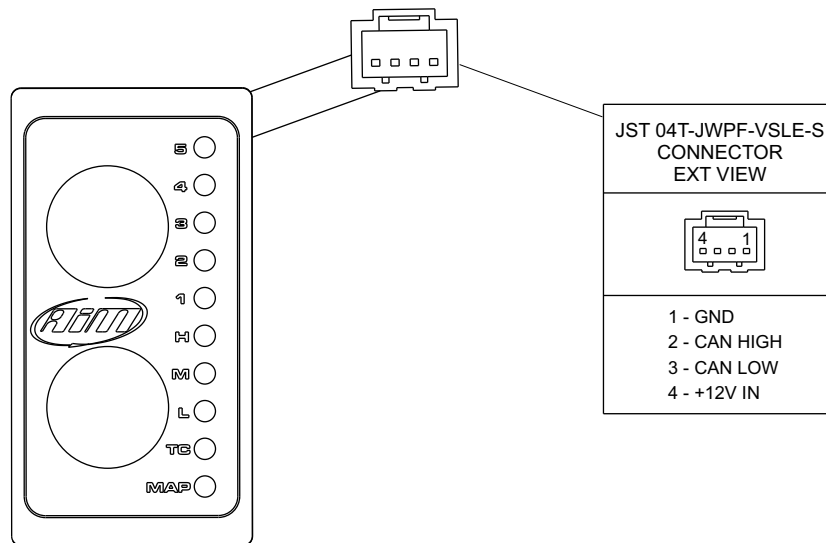
AiM ECU Taipan Y v2 & accessories

PLUG 'N PLAY ECU FOR MOTOCROSS

Accessories:

Handlebar Switch technical specifications and pinout

- JST waterproof connector for CAN Bus communication
- Connector: n.1 JST 04T-JWPF-VSLE-S Connector
- Body: PA6 + 30% glass fiber
- Dimensions: 47.3x24.9x48.1 mm
- Waterproof: IP67
- Weight: 70 g





AiM ECU Taipan Y v2 & accessories

PLUG 'N PLAY ECU FOR MOTOCROSS

Accessories:

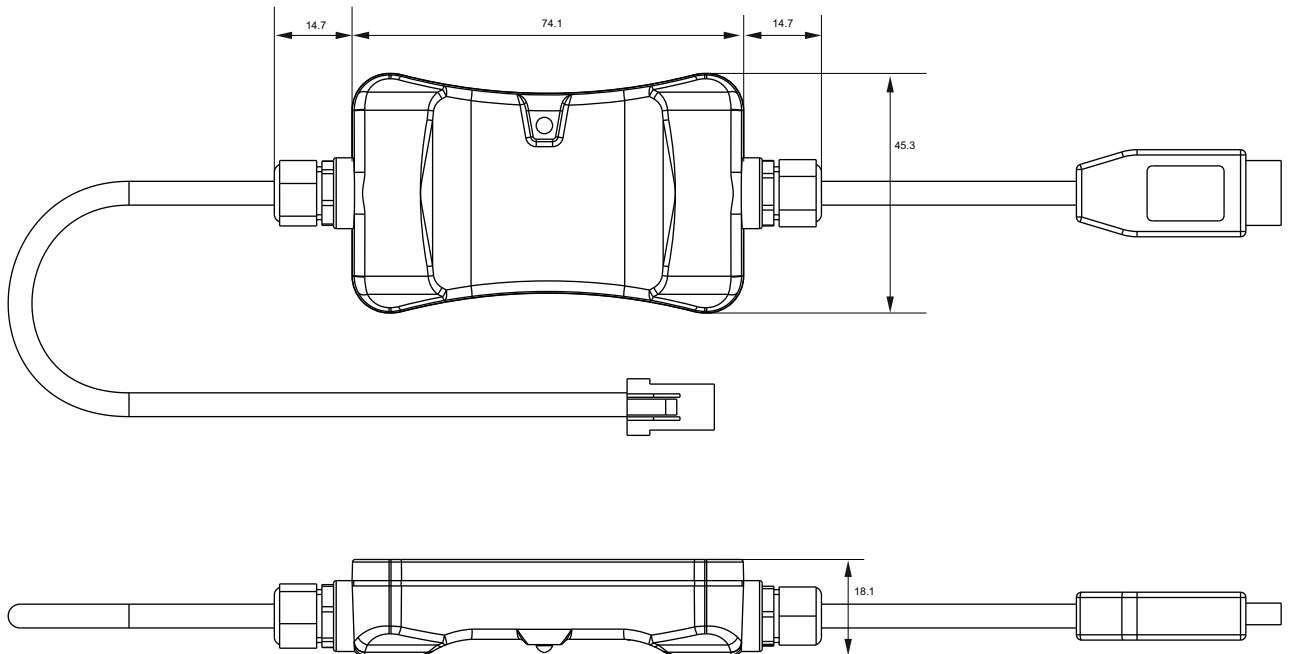
UC Bridge



User license



Tuner license





AiM ECU Taipan Y v2 & accessories

PLUG 'N PLAY ECU FOR MOTOCROSS

Accessories:

UC Bridge technical specifications and pinout

- Connectors: n.1 USB connection for PC
n.1 JST 04R-JWPF-VSLE-S waterproof Connector for CAN Bus communication
- Body: PA6 + 30% glass fiber
- Dimensions: 103.5x45.3x18.1 mm
- Waterproof: IP65
- Weight: 80 g

